

AOV systems for natural & smoke ventilation

Product Range developed by Custom Electronics Ltd

## AOV Two Wire Single Zone Control Panel

**AOV 2 Wire**



Patent Numbers : 2 491 903, 2 504 875, 2 504 876  
Standard Compliance : BS ISO

Trigger Inputs - Call Points, Detectors or Fire Panel



Output Options - Via Actuator Control Unit



Actuators, louvres & domes driven by 24v DC

### Product Information

- For use on 1 zone where all items trigger together
- Fully Monitored Independent system or integatable panel
- Triggers via a fire panel or an independant loop
- Detection, Call Points & Actuators wired on a 2 core loop with an active End Of Line device
- Model options - 2.5A, 4A or 10A
- Enclosure size - 400 x 300 x 110 mm
- Space for 2 x 12AH Sealed Lead Acid Batteries

### Technical

- Panel indicators : Power, Fault, Alarm, Firemans Override, Fire Panel Input Alarm & Fault.
- Input Voltage: 240v AC 50Hz (+5%/-5%)
- Output Voltage: 24v DC (+10%/ -10%)

Model	Output	Charge
AOV-SZ-3	2.5 Amp	0.5 Amp
AOV-SZ-5	4 Amp	1 Amp
AOV-SZ-8	10 Amp	2 Amp

### Common Use

- Small multiple occupancy building common areas
- End of corridor windows
- Single Stairwells - Top Window or Roof Vent

### System Layout & Wiring

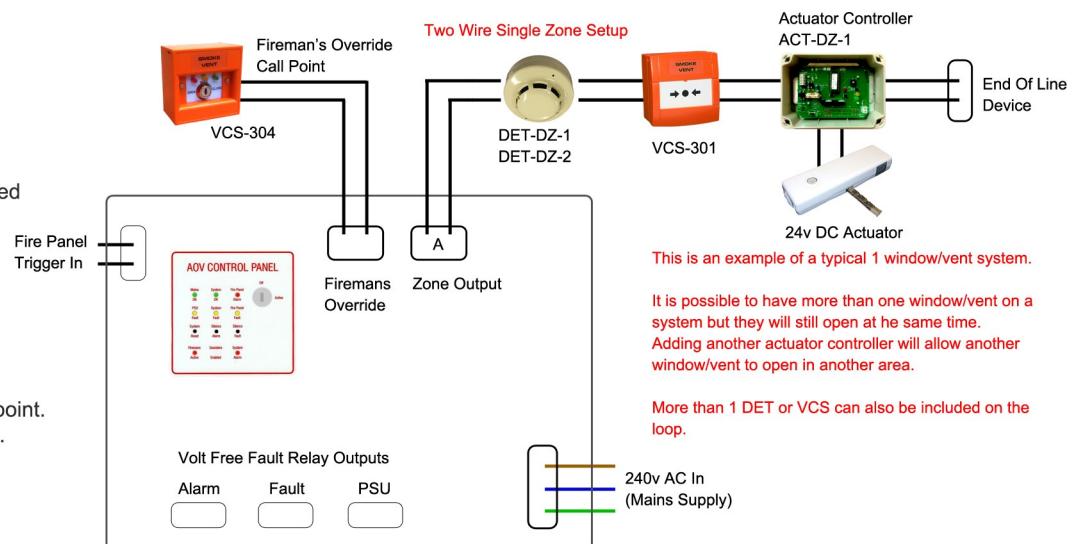
#### Two Wire Single Zone Options

#### Zone Output A (Typical Example):

Simple staircase with an actuator controlled window at the top. A single 2 core cable connects all inputs and outputs on one zone ouput.

#### Fireman's Override:

Trigger Input for a Firman's override call point. This is a separate input for overall control.



This is an example of a typical 1 window/vent system.

It is possible to have more than one window/vent on a system but they will still open at he same time. Adding another actuator controller will allow another window/vent to open in another area.

More than 1 DET or VCS can also be included on the loop.