

AOV systems for natural & smoke ventilation

Product Range developed by Custom Electronics Ltd

AOV Multi Zone Control Panel



AOVZ-01 (zone card)



Trigger Inputs - Call Points, Detectors or Fire Panel



Output Options - 24v DC



Actuators, louvres & domes driven by 24v DC

Product Information

- For larger systems that require more than one zone to trigger separately
- Independant system or intergatable panel
- Triggers via a fire panel or an independant loop
- Open or close all zones with firemans call point
- Master zone capable - 1 zone (shaft/staircase) to trigger with any zone(s)
- 2 Base Units - up to 5 zone or 10 zone

Technical

- Input Voltage: 240v AC 50Hz (+5%/-5%)
- Output Voltage: 24v DC (+10%/-10%)
- 1 x AOVZ-01 required per zone

Model	Output	Charge
AOV5/A	4.5 Amp	1 Amp
AOV10/A or /B	10 Amp	2 Amp
AOV20/B	20 Amp	4 Amp

Note: 20/B & 30/C are 10A / 2A per 5 Zones max

Common Use

- Multiple occupancy building with several zones
- Shaft or staircase operating with separate zones
- Large single areas with multiple windows or vents

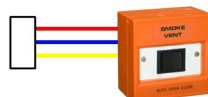
System Layout & Wiring

Link:
Trigger inputs for AOV Panel. Closed circuit loop when broken will cause the panel to trigger vents, windows or domes.

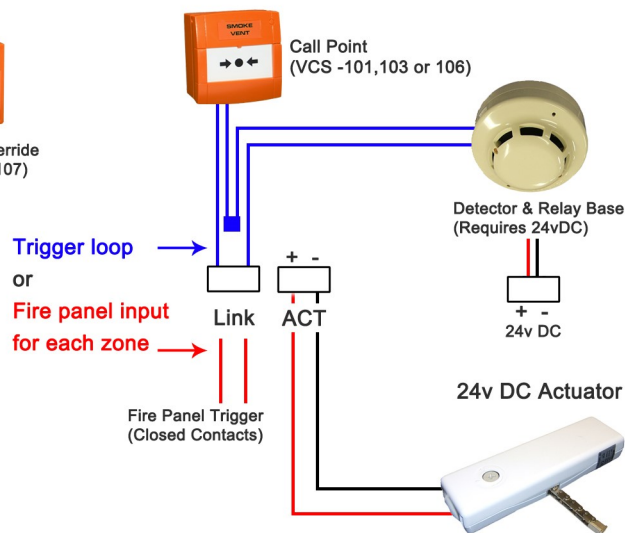
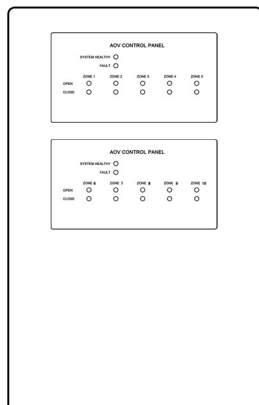
Override Call Point:
Trigger Input for a Firman's override call point. This can be either keyswitch or rocker switch.

ACT:
24v DC output for actuators, vents or domes.
Opening (forward) = 24v DC +
Closing (reverse) = 24v DC -
Normal state = no voltage

Override call point can be wired to open or close all zones



Fireman's Override (VCS-104 or 107)



AOV Multi Zone - Inputs & Outputs for each zone