

Quick Connection Guide for AOV Single Zone Control Panel

START HERE - Step by Step Installation Points

1. Install 240vAC (L N E) to PSU ONLY. Allow unit to power up & timer to reset to normal state (Indicator information below).
 2. Install actuator wires into ACT output. Remove J10 (creating an open link on LINK 2) and allow panel to trigger open (green). This will open your window (wait till fully open).
 3. Return J10 (to close link) & system will close (yellow) & reset.
 4. If your window has not fully closed adjust the timer and repeat steps 2 & 3.
- Refer to LINK 1 & 2 Trigger inputs info (right) then -
5. If using option 1 for trigger input install fire panel trigger and test. Remember to remove the wire link from LINK 1, or
If using option 2 for trigger input follow the directions to connect detectors &/or call points. Once connected test the system using each trigger input.
 6. If required Install / test VCS-104 or 107 (& remove J11).
 7. Re-test system with all trigger inputs connected.
 8. Once tested & working connect backup batteries to the PSU.

INDICATOR INFORMATION

AOV CONTROL SYSTEM	MAIN HEALTHY: green = mains okay none = mains fault
○ MAINS HEALTHY ○ AOV OPENING ○ FAULT ○ AOV CLOSING	FAULT : none = no fault yellow = fault (battery or fuse)
	AOV OPENING: green = actuator opening (triggered)
	AOV CLOSING: yellow = actuator closing (reset)
	AOV OPENING & CLOSING = none (aov normal state)

24VDC ACTUATOR OUTPUTS ONLY (ACT 1 & 2):

CHECK ACTUATOR WIRING FOR CORRECT POLARITY

Panel output operation as follows:

- > OPEN : + 24VDC (FORWARD)
- > CLOSE : - 24VDC (REVERSE)

NOTE:

- CONTINUOUS +24VDC WHILE OPEN AND TIMED -24VDC ON CLOSING.
- CLOSING TIME CAN BE SET USING THE RESET TIMER.

More instructions can be downloaded at: www.aovcontrols.com

custom electronics ltd
Power Supplies • AOV Controls • Ancillaries

AOV CONTROLS
A DIVISION OF CUSTOM ELECTRONICS LTD

TELEPHONE: +44(0)191 414 3160



SCAN ME
www.aovcontrols.com

OPTION 2: LINK 1 &/OR LINK 2

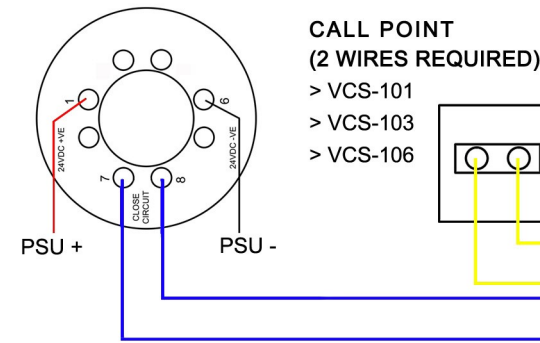
If there is no fire panel input you can use LINK 1 & 2 to separate trigger inputs.

- > LINK 1 = call point loop
- > LINK 2 = detector loop

This allows for easier wiring installation.

DETECTOR BASE - DET-003 & DET-011 (4 WIRES REQUIRED)

- > Requires 24vdc input (1 & 6) taken from the PSU output terminals not AOV card.
- > Loop connection (7 & 8)



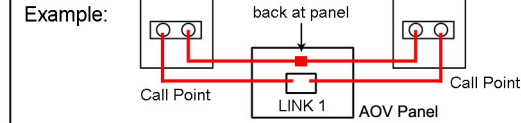
CALL POINT (2 WIRES REQUIRED)

- > VCS-101
- > VCS-103
- > VCS-106

LINK 1 & 2 TRIGGER INPUTS -

- Option 1 - Attached to a fire system triggered via a fire panel only = USE LINK 1 ONLY
- Option 2 - Stand alone system triggered by call points = LINK 1 &/or detectors = LINK 2
- Option 3 - Fire system trigger = LINK 1 & call points = LINK 2

Note: If using more than one trigger item on each loop > All parts must be wired in series (a loop) not parallel.

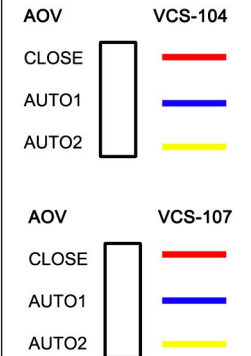


OPTION 1: LINK 1 TRIGGER

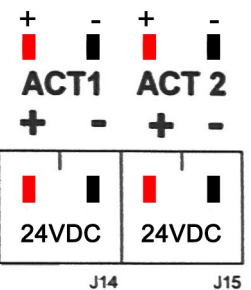
- Volt free contacts in fire alarm panel open on alarm.
- > Normally closed to trigger open.



FIREMANS SWITCH EXTERNAL FIRE OVERRIDE (USE ONLY VCS-104 & 107)



ACTUATOR OUTPUT

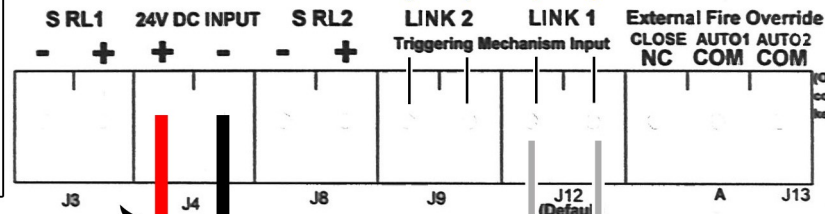


SLR2 -

Mag locks & Door closers
Constant 24vDC output until AOV is triggered open dropping the voltage. 24vDC returns again on reset.

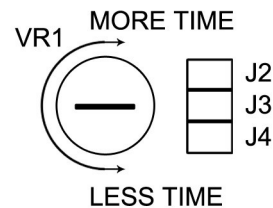
- > Normal State - 24vDC output
- > AOV opening - No voltage
- > AOV closing - 24vDC output

24VDC INPUT FROM AOV PSU DO NOT CHANGE OR REMOVE



wire link - required if LINK 1 is not used as a trigger input
Remove to use LINK 1 as a trigger input.

RESET TIMER SETUP



Timer Settings:

- Start with jumper on J7 and adjust VR1
- > J2 - 2m - 3m 30s closing time
- > J3 - 55s - 2m closing time
- > J4 - 0s - 55s closing time

LED1 (GREEN) - Timer Active

VR1 - timer adjustment:

- > clockwise = more time
- > anti-clockwise = less time



only remove J10 jumper if using LINK 2 for trigger input

only remove J11 jumper if using external fire override for trigger input